

FOR AUTOCAD DRAWING, PLEASE CONTACT Ms. KARISHMA SUTARIA
E-mail : karishma@vmsconsultants.com

THIS DRAWING & DESIGN IS THE SOLE PROPERTY OF VMS & SHALL NOT BE COPIED, TRACED OR REPRODUCED BY ANY MEANS WITHOUT PRIOR WRITTEN CONSENT OF THE FIRM.

GENERAL NOTES :

1. ALL THE DIMENSIONS ARE UNFINISHED DIMENSIONS.
2. ALL DIMENSIONS ARE IN MM AND LEVELS ARE IN MT. UNLESS OTHERWISE MENTIONED.
3. ALL THE DIMENSIONS SHALL BE READ & NOT TO BE MEASURED.
4. IN CASE OF ANY DISCREPANCY, BRING IT TO THE NOTICE OF THE ARCHITECT IMMEDIATELY.
5. DETAIL DRAWING PRECEDES THE GENERAL DRAWING

IMPORTANT NOTES :

1. DETAILS SHOWN IN THIS DRAWING ARE FOR TENDER ONLY AND PROVIDE GENERAL IDEA OF THE PROPOSED BLOCK. THEY ARE NOT TO BE CONSIDERED AS EXHAUSTIVE AND EXACT REPRESENTATIVE OF THE PROPOSED BLOCK.
2. NO BRACING ARE ALLOWED ON GRID-E.
3. BRACING/TIES ARE ALLOWED ON PERIPHERY OF THE BUILDING. HOWEVER, THE BRACINGS/TIES SHALL NOT BE ALLOWED AT DOOR AND ROLLING SHUTTER.
4. LEAK PROOF CONNECTIONS AND JOINERY SHALL BE IN SCOPE OF PEB VENDOR.
5. SUPPORTING STRUCTURE OF ROLLING SHUTTER, DOCK SHELTER, PIPE RACK AND ELECTRICAL CABLE RACK SHALL BE IN SCOPE OF PEB VENDOR.
6. TENDERER SHALL VISIT THE SITE AND GET THOROUGHLY ACQUAINTED WITH THE SITE CONDITION BEFORE SUBMITTING THE BID.

STANDARD DRAWING SYMBOLS:

- FINISHED LEVEL
- UNFINISHED LEVEL
- SECTION SYMBOL
- ELEVATION SYMBOL
- WINDOW SYMBOL
- DOOR SYMBOL

GRAPHIC LEGEND :

- BRICK WALL CUT IN PLAN/SECTION.
- RCC COLUMN CUT IN PLAN.

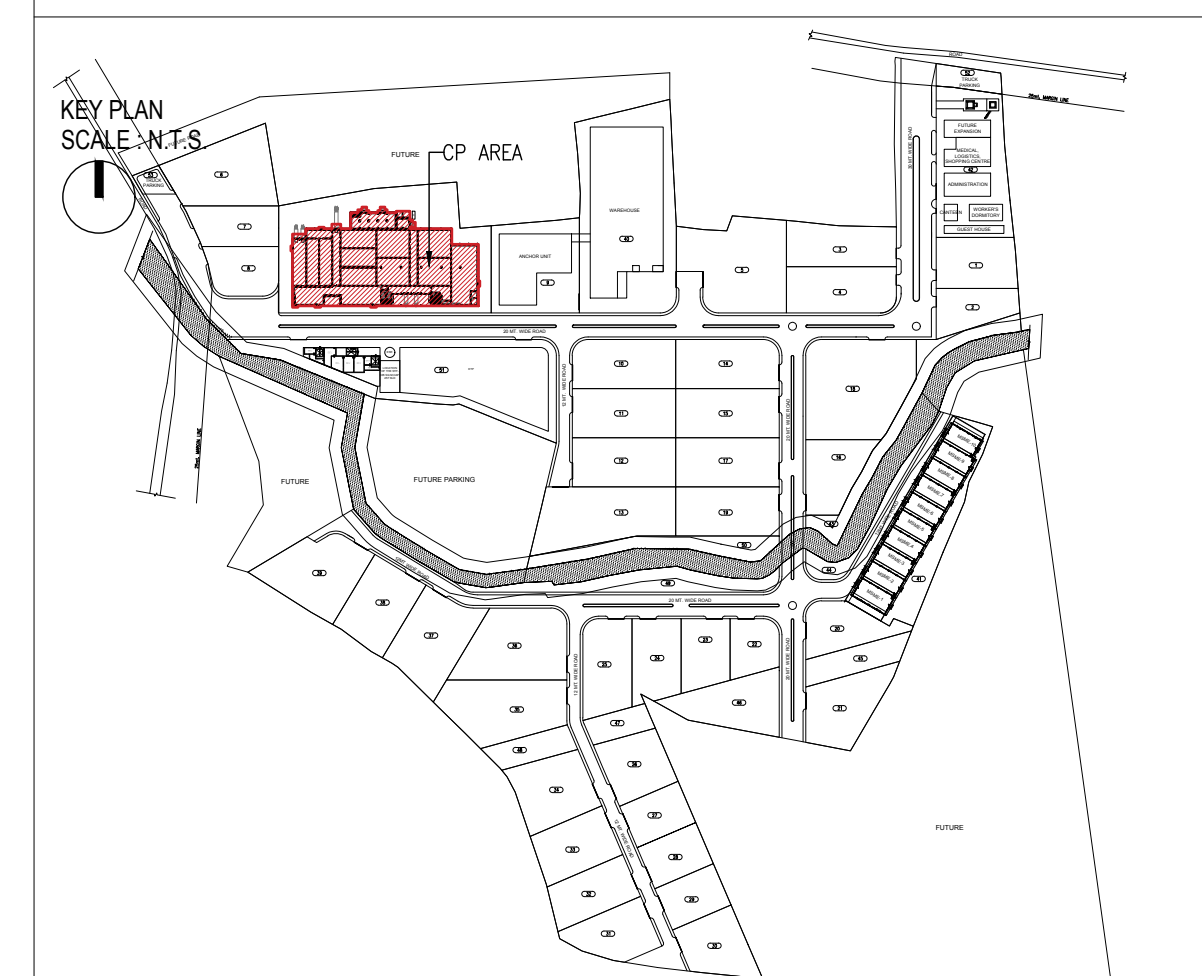
SCHEDULE OF OPENINGS:

MKD.	SIZE	SILL HT.	REMARKS
RS101	3000 X 4000	---	MECHANICALLY OPERATED M.S. ROLLING SHUTTERS.
RS102	3000 X 3000	---	MECHANICALLY OPERATED M.S. ROLLING SHUTTERS.
D101	2500 X 3000	---	INSULATED HIGH SPEED ROLL UP DOOR
D102	2500 X 3000	---	FREEZER SLIDING DOOR
D103	2500 X 3000	---	SLIDING DOOR
D104	2500 X 3000	---	ROLL UP SECTIONAL DOOR
D105	1200 X 2100	---	INSULATED HINGED DOOR
D106	1200 X 2100	---	FIRE DOOR
D107	1200 X 2100	---	G.I. OPENABLE DOOR
D108	1000 X 2100	---	ALUMINUM FRAME WITH FLUSH DOOR
D109	750 X 2100	---	ALUMINUM FRAME WITH FLUSH DOOR
D110	1000 X 2100	---	G.I. OPENABLE DOOR

FOR TENDER

NO.	DATE	DESCRIPTION	DRAWN BY	CHECKED BY
R1	27-01-18	GENERALLY REVISED	PARESH	KINJAL

REVISION HISTORY



REFERENCE DRAWINGS :

- 01. ARCHITECTURAL : -
- 02. STRUCTURAL : -
- 03. HVAC : -
- 04. ELECTRICAL : -
- 05. UTILITIES : -

GROUND FLOOR PLAN

CP AREA

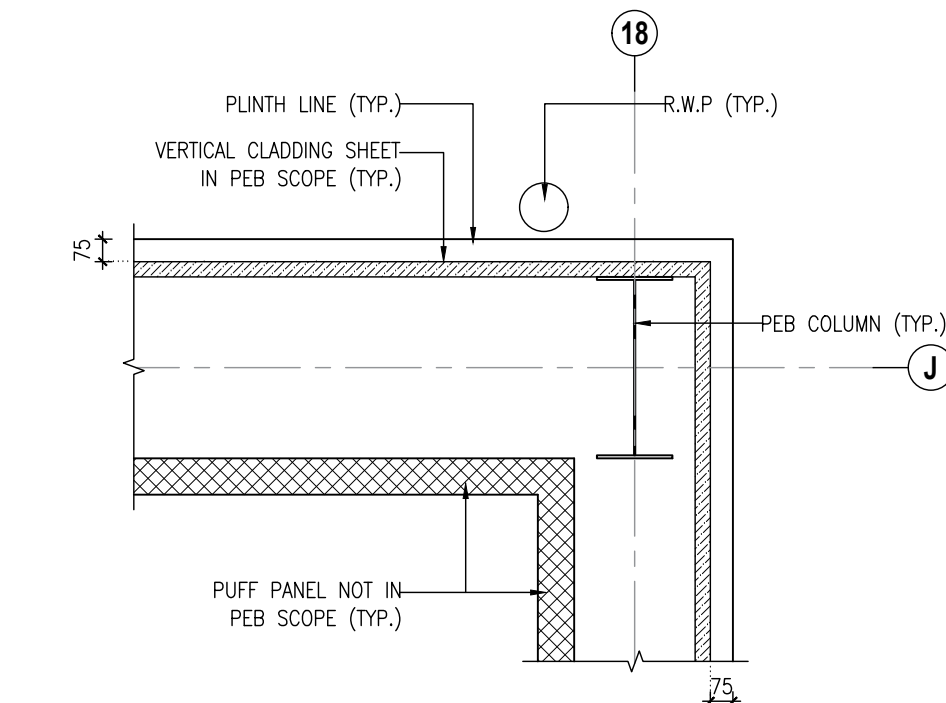
PMC
Technopak Advisors Pvt. Ltd.
Gurgaon.

fanidhar
MEGA FOOD PARK - AT MUDARDA, MEHSANA
Khet so bazaar tak...

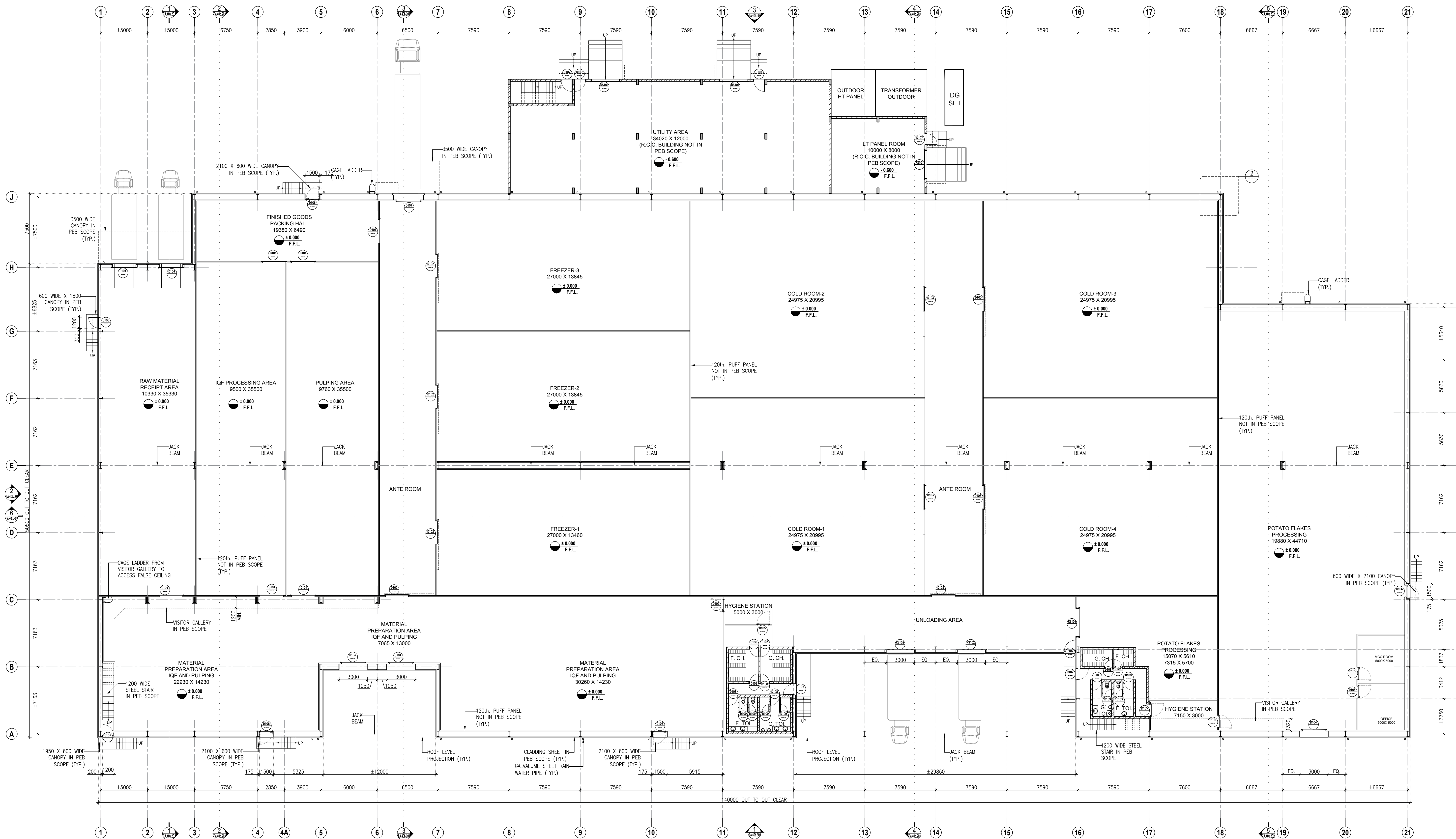
PROJECT NO.	SCALE:	DRAWN :	PARESH
2017	1:200	CHECKED:	PARESH
DATE :	18-01-2018	APPROVED:	NITESH
		COORDINATION CHECKED:	NITESH

vms ENGINEERING & DESIGN SERVICES (P) LTD.
CHITRAKOOT FLATS, BEHIND TIMES OF INDIA, OFF ASHRAM ROAD,
AHMEDABAD-380 009. PHONE: +91 (079) 2658-8829/4488, 40232336
FAX: +91 (079) 2658 3596 WWW.VMSCONSULTANTS.COM

SHEET SIZE	DRAWING NO.	TENDER	REVISION:
---	T.A.40b.101	T	R1



2 DETAIL
SCALE 1:25



1 GROUND FLOOR PLAN
SCALE 1:200