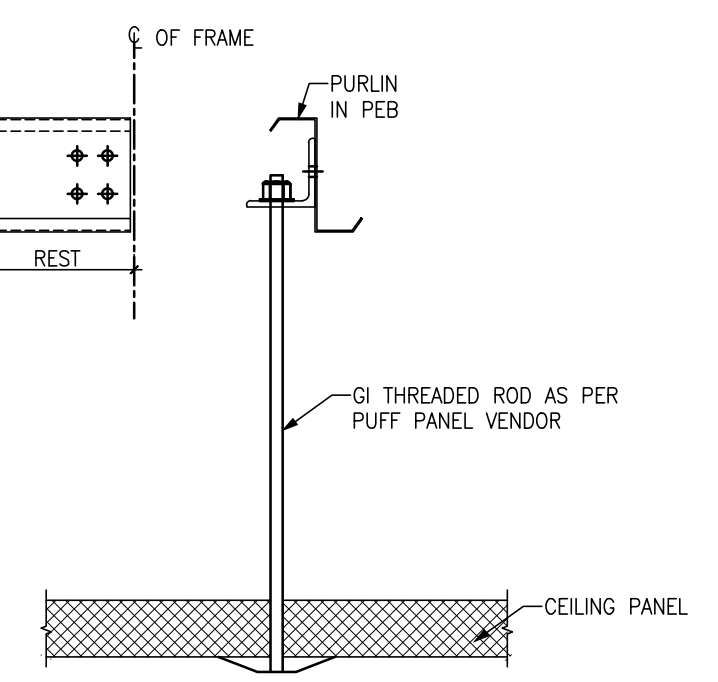
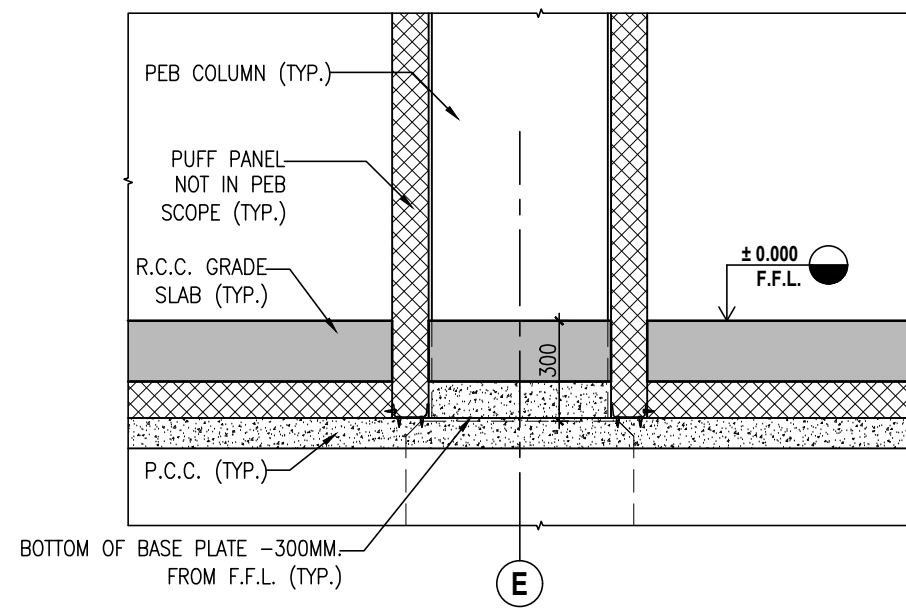


11 TYP. 'Z' PURLINE ELEVATION  
SCALE 1:10

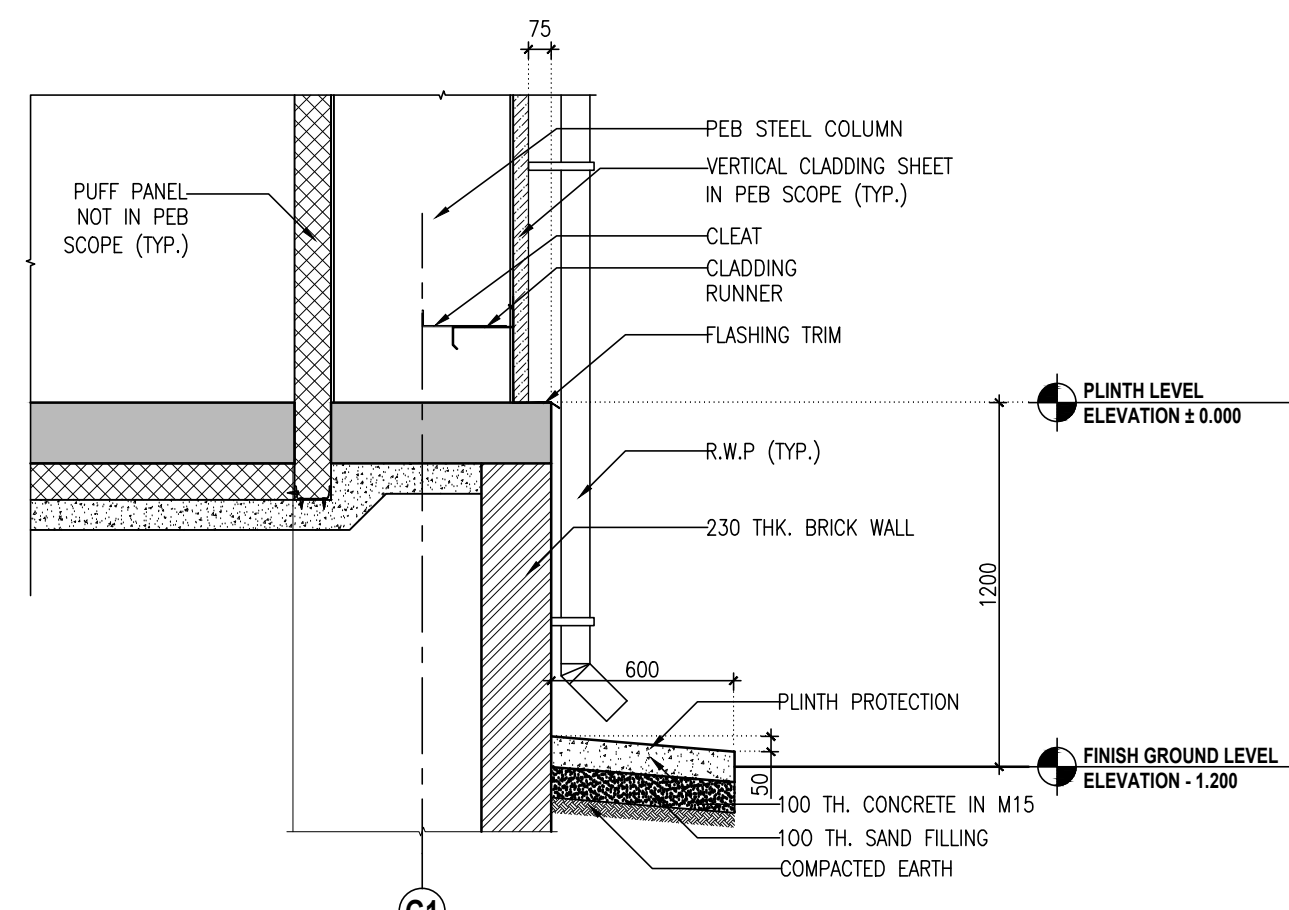


12 SECTION  
SCALE 1:10  
CEILING SUSPENSION SYSTEM DETAIL

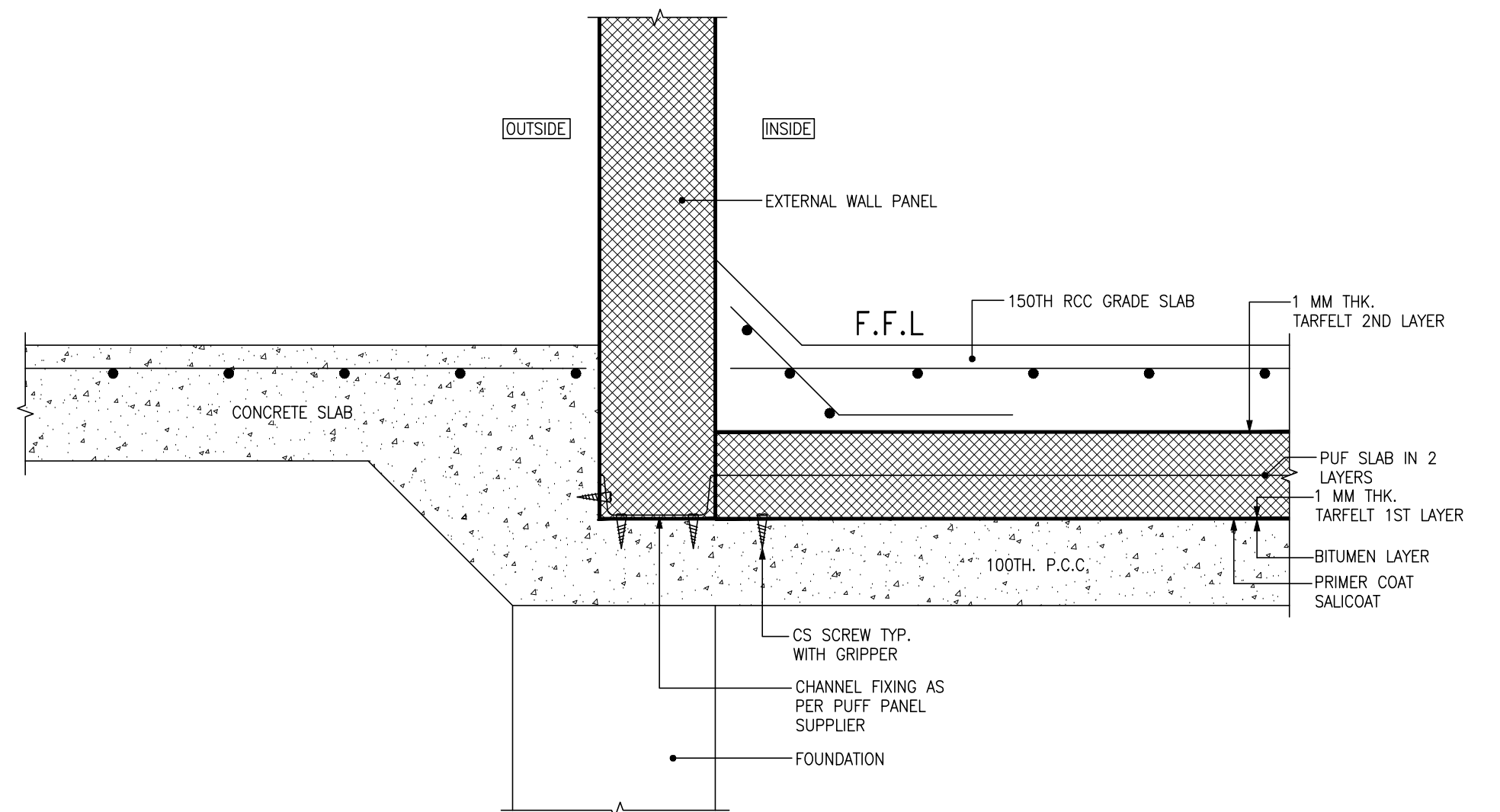
**NOTE :-**  
FOR AUTOCAD DRAWING PLEASE CONTACT :-  
KARISHMA SUTARIYA  
EMAIL ID :- karishma@vmsconsultants.com



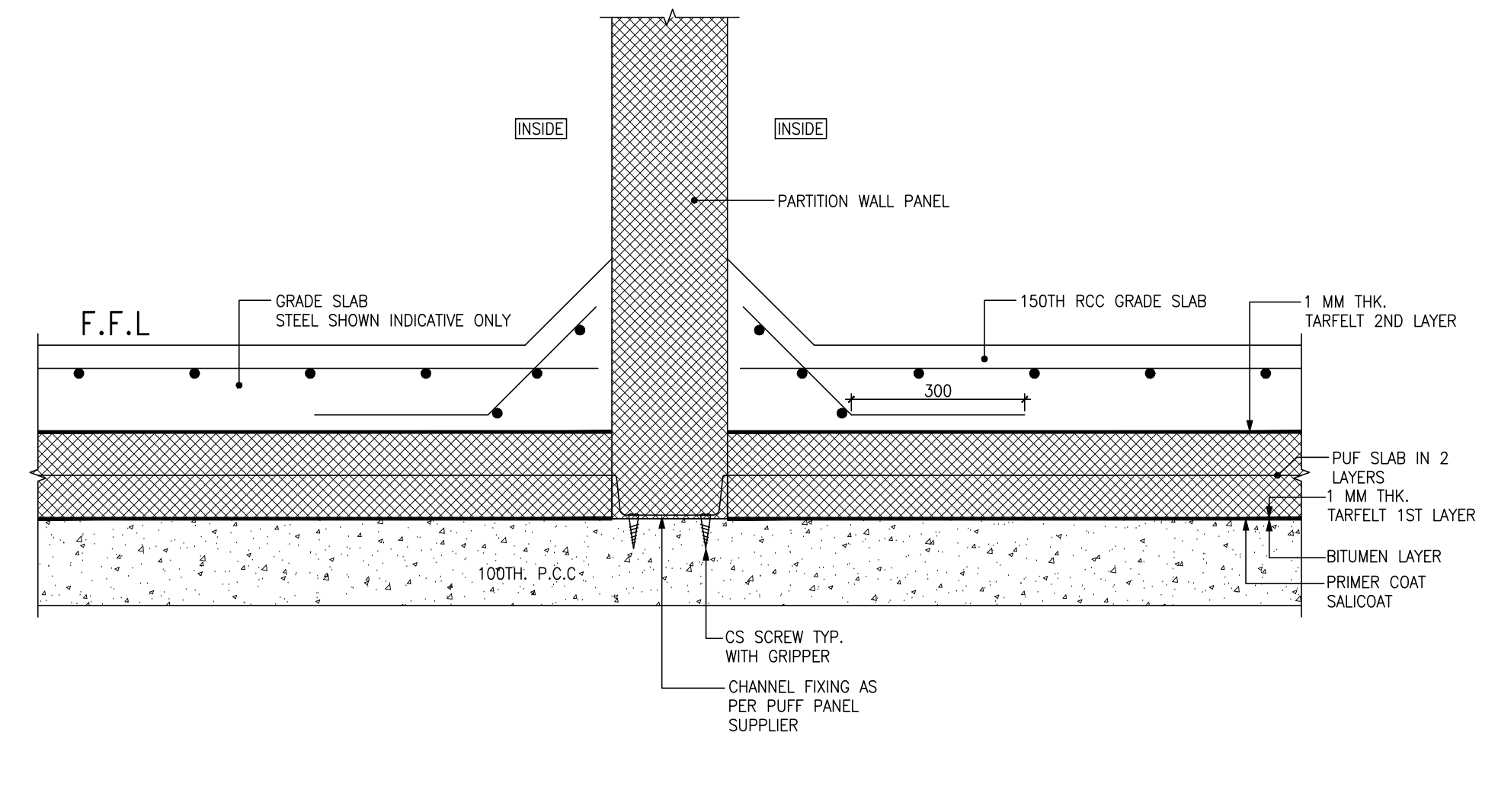
8 DETAIL  
SCALE 1:25



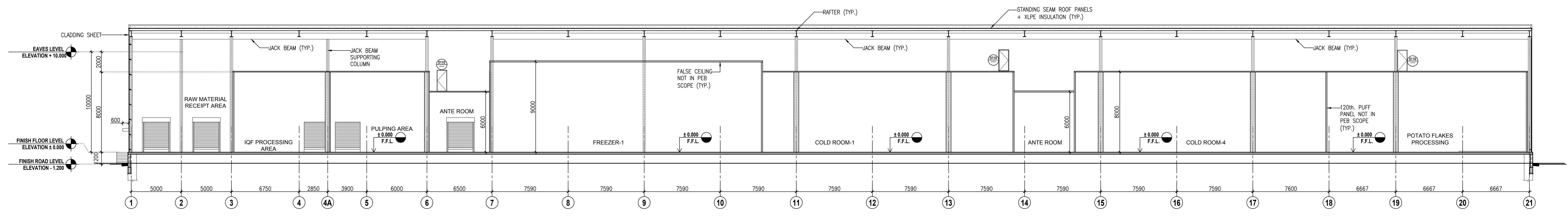
7 DETAIL  
SCALE 1:25



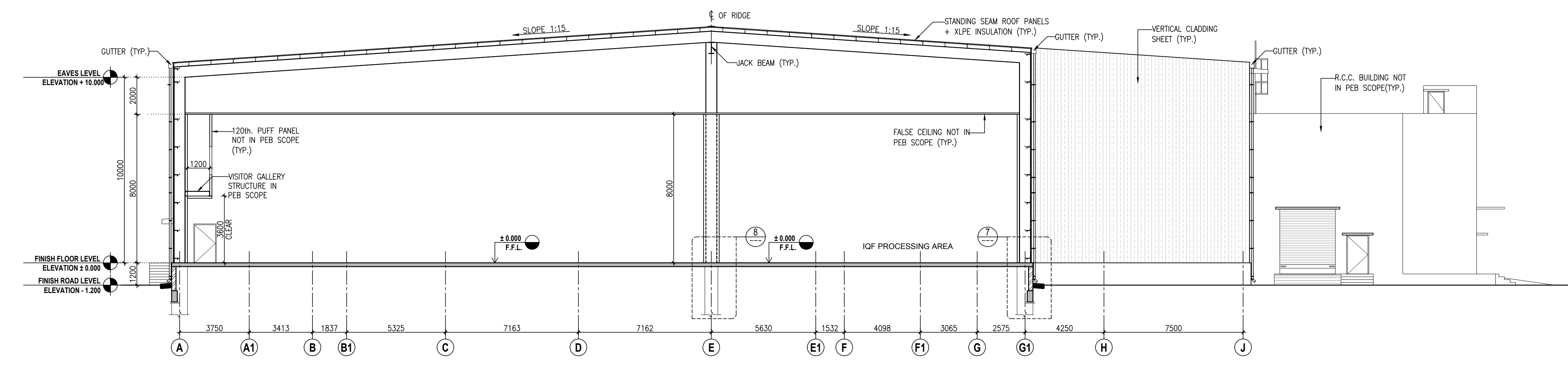
9 TYP. EXTERNAL WALL TO FLOOR DETAIL  
SCALE 1:10



10 TYP. PARTITION WALL TO FLOOR DETAIL  
SCALE 1:10



6 SECTION  
SCALE 1:200



5 SECTION  
SCALE 1:150

**GENERAL NOTES :**

1. ALL THE DIMENSIONS ARE UNFINISHED DIMENSIONS.
2. ALL DIMENSIONS ARE IN MM AND LEVELS ARE IN MT, UNLESS OTHERWISE MENTIONED.
3. ALL THE DIMENSIONS SHALL BE READ & NOT TO BE MEASURED.
4. IN CASE OF ANY DISCREPANCY, BRING IT TO THE NOTICE OF THE ARCHITECT IMMEDIATELY.
5. DETAIL DRAWING PRECEDES THE GENERAL DRAWING

**STANDARD DRAWING SYMBOLS:**

- FINISHED LEVEL
- UNFINISHED LEVEL
- SECTION SYMBOL
- ELEVATION SYMBOL
- WINDOW SYMBOL
- DOOR SYMBOL

**GRAPHIC LEGEND :**

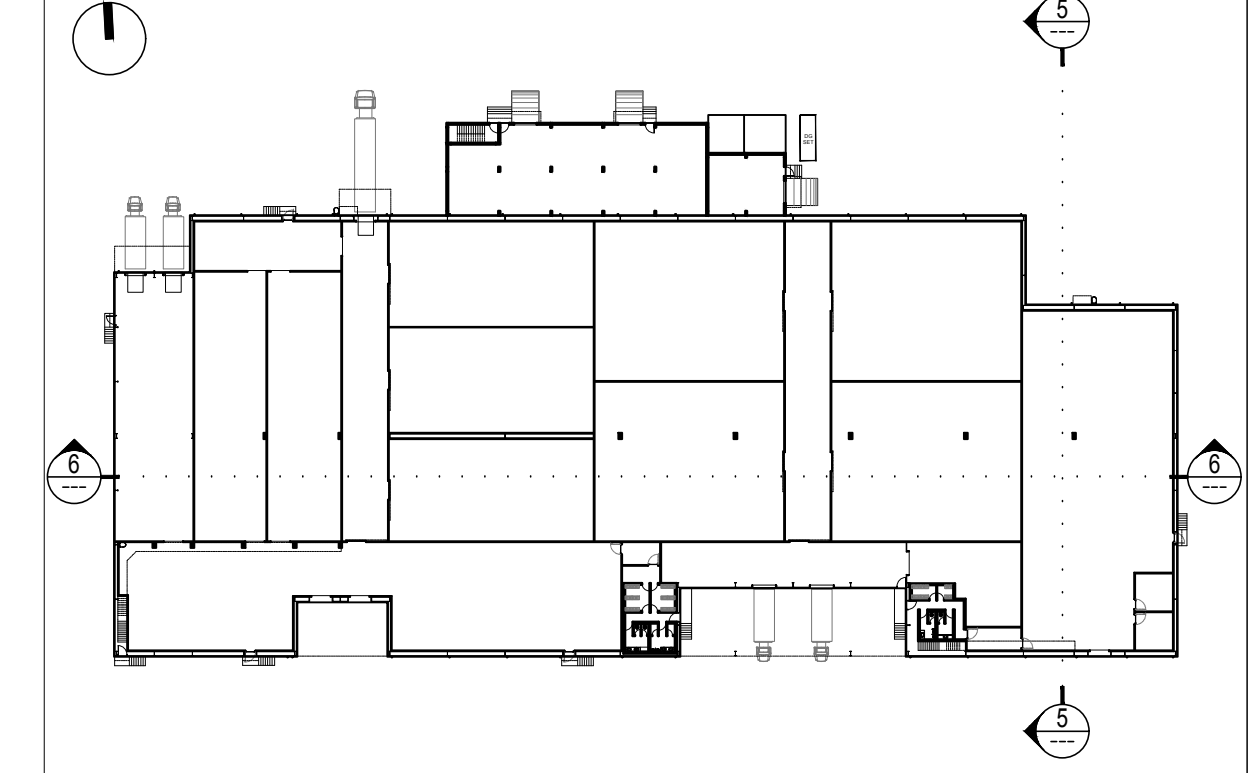
- ▨ BRICK WALL CUT IN PLAN/SECTION.
- RCC COLUMN CUT IN PLAN.

**FOR TENDER**

NO.	DATE	DESCRIPTION	DRAWN BY	CHECKED BY
R1	27-01-18	GENERALLY REVISED	PARESH	KINJAL

**REVISION HISTORY**

KEY PLAN  
SCALE: N.T.S.



**REFERENCE DRAWINGS :**

- 01. ARCHITECTURAL :-
- 02. STRUCTURAL :-
- 03. HVAC :-
- 04. ELECTRICAL :-
- 05. UTILITIES :-

**SECTIONS & DETAIL**

**CP AREA**

PMC  
**Technopak Advisors Pvt. Ltd.**  
**Gurgaon.**

**fanidhar**  
**MEGA FOOD PARK - AT MUDARDA, MEHSANA**  
*khata se bazaar tak...*

PROJECT NO.	SCALE :	DRAWN :	PARESH
2017	1:200	CHECKED:	PARESH
DATE :	18-01-2018	APPROVED:	NITESH
		COORDINATION CHECKED:	NITESH

**vms** ENGINEERING & DESIGN SERVICES (P) LTD.  
CHITRAKOOT PLATS, BEHIND TIMES OF INDIA, OFF ASHRAM ROAD,  
AHMEDABAD-380 005. PHONE: +91 (079) 2658-8034/448. 40236236  
ENGINEERING + ARCHITECTURE FAX: +91 (079) 2658 3596 WWW.VMSCONSULTANTS.COM

SHEET SIZE	DRAWING NO.	TENDER	REVISION:
---	T.A.40b.202	T	R1