

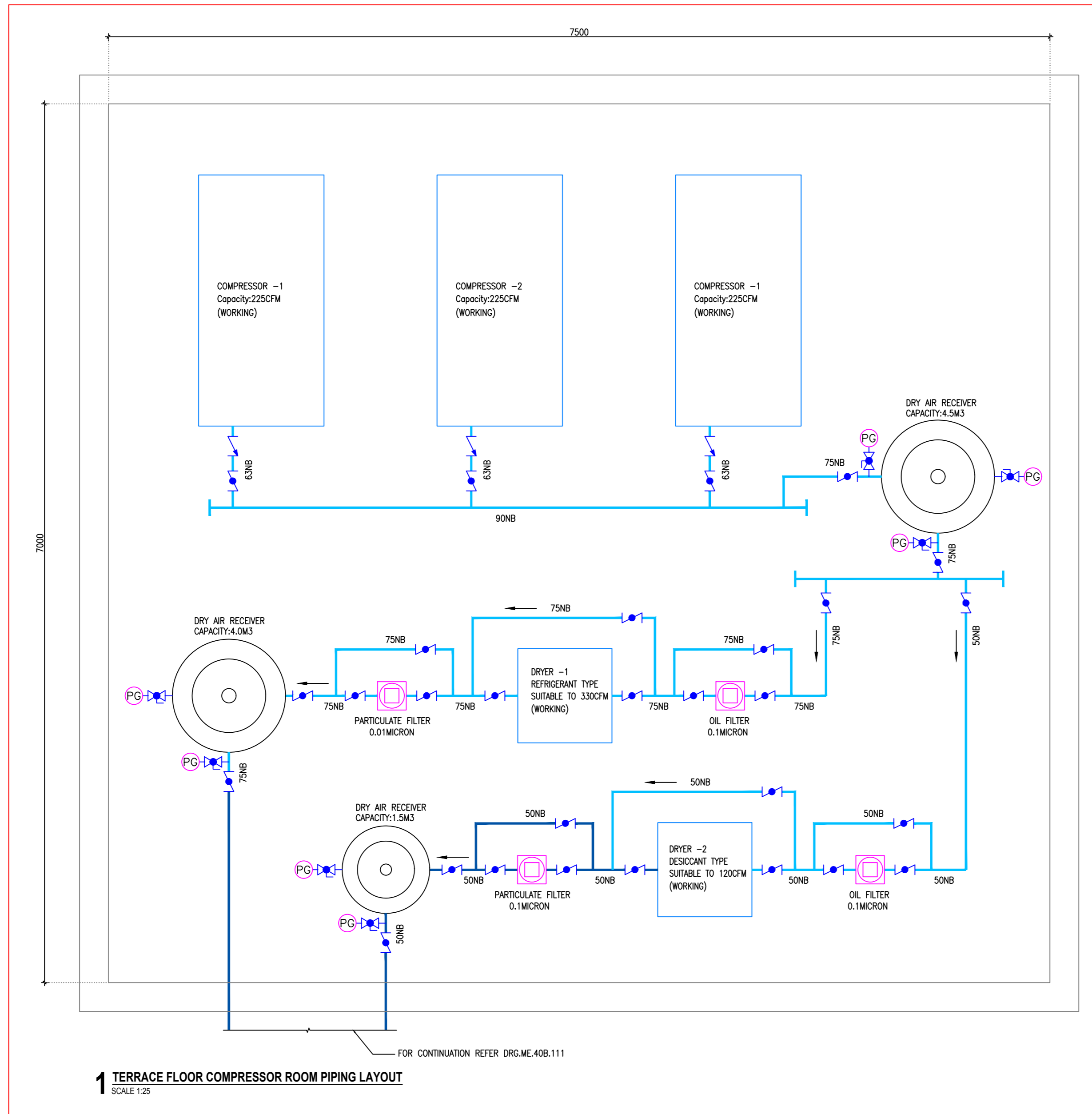
THIS DRAWING & DESIGN IS THE SOLE PROPERTY OF VMS & SHALL NOT BE COPIED, TRACED OR REPRODUCED BY ANY MEANS WITHOUT PRIOR WRITTEN CONSENT OF THE FIRM.

GENERAL NOTES :

1. ALL DIMENSIONS ARE IN MM AND LEVELS ARE IN MT, UNLESS OTHERWISE MENTIONED.
2. ALL THE DIMENSIONS SHALL BE READ & NOT TO BE MEASURED.
3. IN CASE OF ANY DISCREPANCY, BRING IT TO THE NOTICE OF THE ARCHITECT IMMEDIATELY.

LEGENDS:-

SR.NO.	SYMBOL	DESCRIPTION
1		PROCESS AIR PIPE
2		INSTRUMENT AIR PIPE
3		BUTTERFLY VALVE
4		BALL VALVE
5		NON RETURN VALVE
6		FILTER
7		PRESSURE GAUGE



1 TERRACE FLOOR COMPRESSOR ROOM PIPING LAYOUT
SCALE 1:25

NO.	DATE	DESCRIPTION	DRN BY	CHK BY
R0	28-05-19	ISSUED FOR TENDER	KRUNAL	MEET

REVISION HISTORY



REFERENCE DRAWINGS :

- 01. ARCHITECTURAL :-
- 02. STRUCTURAL :-
- 03. HVAC :-
- 04. ELECTRICAL :-
- 05. UTILITIES :-

TERRACE FLOOR COMPRESSOR ROOM PIPING LAYOUT

CP AREA

PMC
Technopak Advisors Pvt. Ltd.
Gurgaon.

fanidhar
MEGA FOOD PARK - AT MUDARDA, MEHSANA

PROJECT NO. 2017	SCALE : N. T. S.	DRAWN : KRUNAL
	DATE : 28-05-2019	CHECKED : MEET
		APPROVED : ATUL
		CO. CHECKED : NITESH

vms ENGINEERING & DESIGN SERVICES (P) LTD.
CHITRAKOOT FLATS, BEHIND TIMES OF INDIA, OFF ASHRAM ROAD,
AHMEDABAD-380 009. PHONE: +91 (079) 2658-8029/4488. 40230239
ENGINEERING + ARCHITECTURE FAX: +91 (079) 2658 3586 WWW.VMSCONSULTANTS.COM

SHEET SIZE	DRAWING NO.	RELEASED FOR	REVISION:
A2	ME.40B.114	T	R0