

THIS DRAWING & DESIGN IS THE SOLE PROPERTY OF VMS & SHALL NOT BE COPIED, TRACED OR REPRODUCED BY ANY MEANS WITHOUT PRIOR WRITTEN CONSENT OF THE FIRM.

**GENERAL NOTES :**

1. ALL THE DIMENSIONS ARE UNFINISHED DIMENSIONS.
2. ALL DIMENSIONS ARE IN MM AND LEVELS ARE IN MT, UNLESS OTHERWISE MENTIONED.
3. ALL THE DIMENSIONS SHALL BE READ & NOT TO BE MEASURED.
4. IN CASE OF ANY DISCREPANCY, BRING IT TO THE NOTICE OF THE ARCHITECT IMMEDIATELY.
5. DETAIL DRAWING PRECEDES THE GENERAL DRAWING

**IMPORTANT NOTE :**

**STANDARD DRAWING SYMBOLS:**

- FINISHED LEVEL
- UNFINISHED LEVEL
- SECTION SYMBOL (UPPER HALF INDICATES DIAGRAM NO. (NUMERICAL VALUE) IN DRAWING SHEET & LOWER HALF INDICATES DRAWING NO.)
- ELEVATION SYMBOL (UPPER HALF INDICATES DIAGRAM NO. IN DRAWING SHEET & LOWER HALF INDICATES DRAWING NO.)
- WINDOW SYMBOL (UPPER HALF INDICATES WINDOW NO. & LOWER HALF INDICATES DRAWING NO.)
- DOOR SYMBOL (UPPER HALF INDICATES DOOR NO. & LOWER HALF INDICATES DRAWING NO.)

**GRAPHIC LEGEND :**

- MASONRY CUT IN PLAN/SECTION.
- RCC COLUMN CUT IN PLAN.

FOR TENDER

NO.	DATE	DESCRIPTION	DRAWN BY	CHECKED BY

**REVISION HISTORY**

KEY PLAN  
SCALE: N.T.S.



**REFERENCE DRAWINGS :**

- 01. ARCHITECTURAL : -
- 02. STRUCTURAL : -
- 03. HVAC : -
- 04. ELECTRICAL : -
- 05. UTILITIES : -

**GROUND FLOOR PLAN & SECTION  
DRY WARE HOUSE**

**PRIMARY PROCESSING CENTER VANSAJDA DHEDIA, DIST:-GANDHINAGAR**

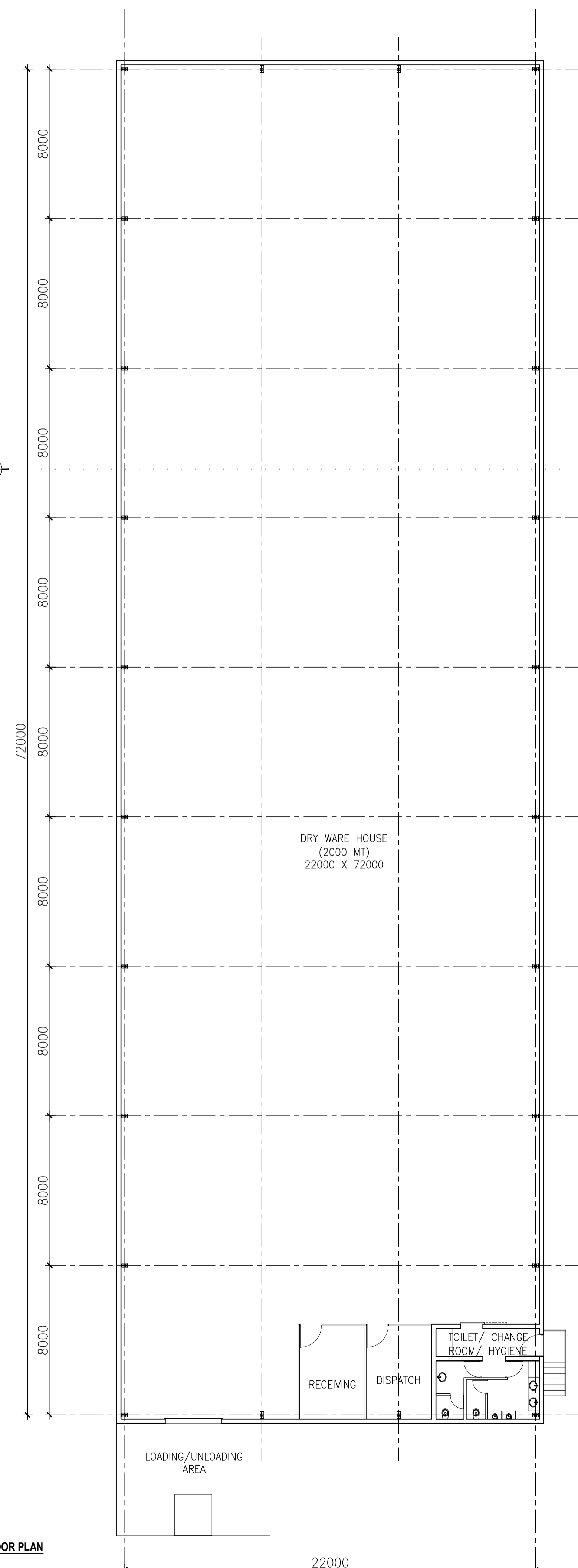
PMC  
**Technopak Advisors Pvt. Ltd.**  
Gurgaon.

**fanidhar**  
**MEGA FOOD PARK** – AT MUDARDA, MEHSANA  
*kheta se bazaar tak...*

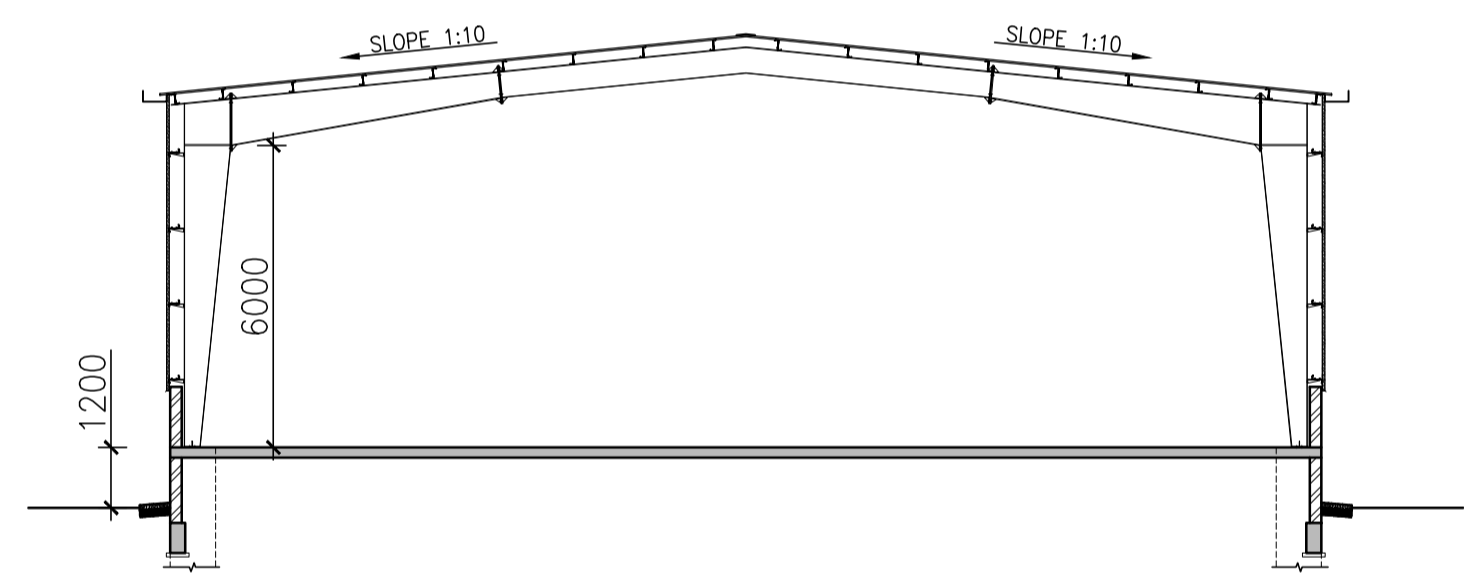
PROJECT NO. <b>2017</b>	SCALE : AS NOTED	DRAWN : ANAND
DATE : 23-07-2018	CHECKED : ANAND	APPROVED : NITESH
	COORDINATION CHECKED : NITESH	

**vms** ENGINEERING + ARCHITECTURE  
VMS ENGINEERING & DESIGN SERVICES (P) LTD.  
CHITRAKOOT FLATS, BEHIND TIMES OF INDIA, OFF ASHRAM ROAD,  
AHMEDABAD-380 009. PHONE: +91 (079) 2658-8828/4488. 40228236  
FAX: +91 (079) 2658 3596 WWW.VMSCONSULTANTS.COM

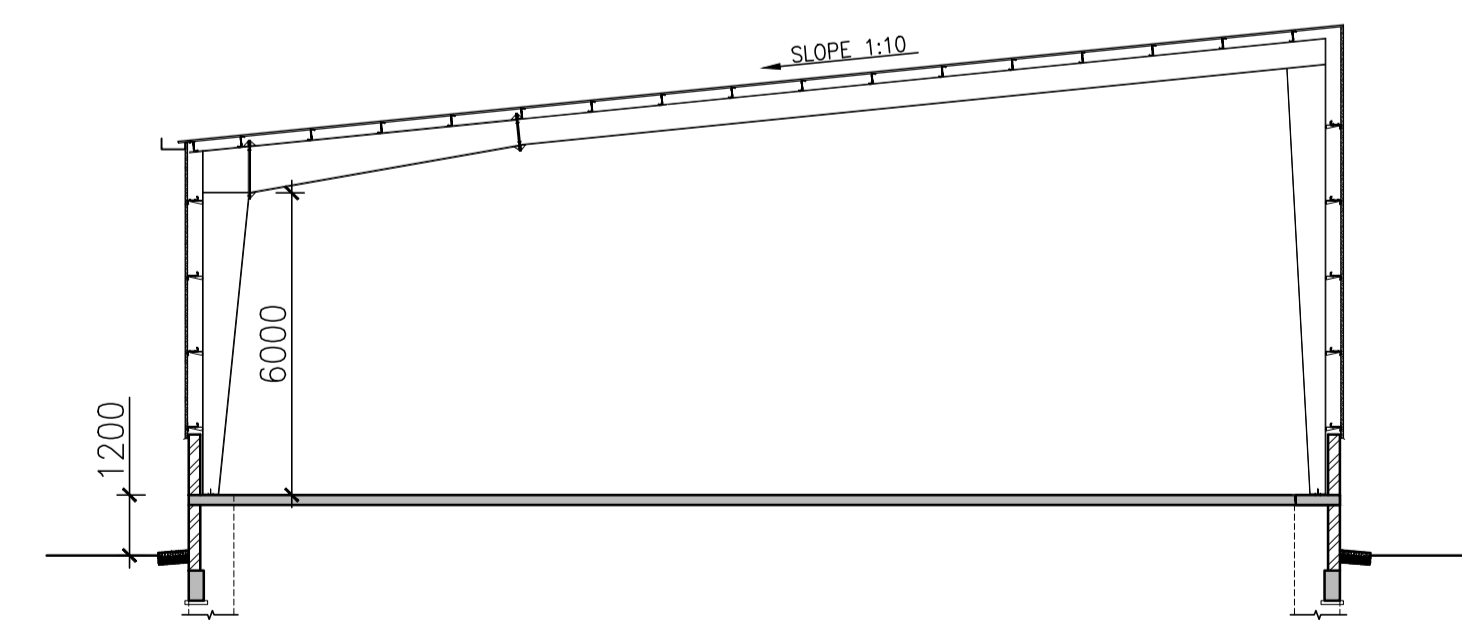
SHEET SIZE	DRAWING NO.	TENDER	REVISION.
A1	T.A.1.101	T	R0



**1 GROUND FLOOR PLAN**  
SCALE: 1:150



**2 SECTION (ALT-02)**  
SCALE: 1:150



**2 SECTION (ALT-01)**  
SCALE: 1:150